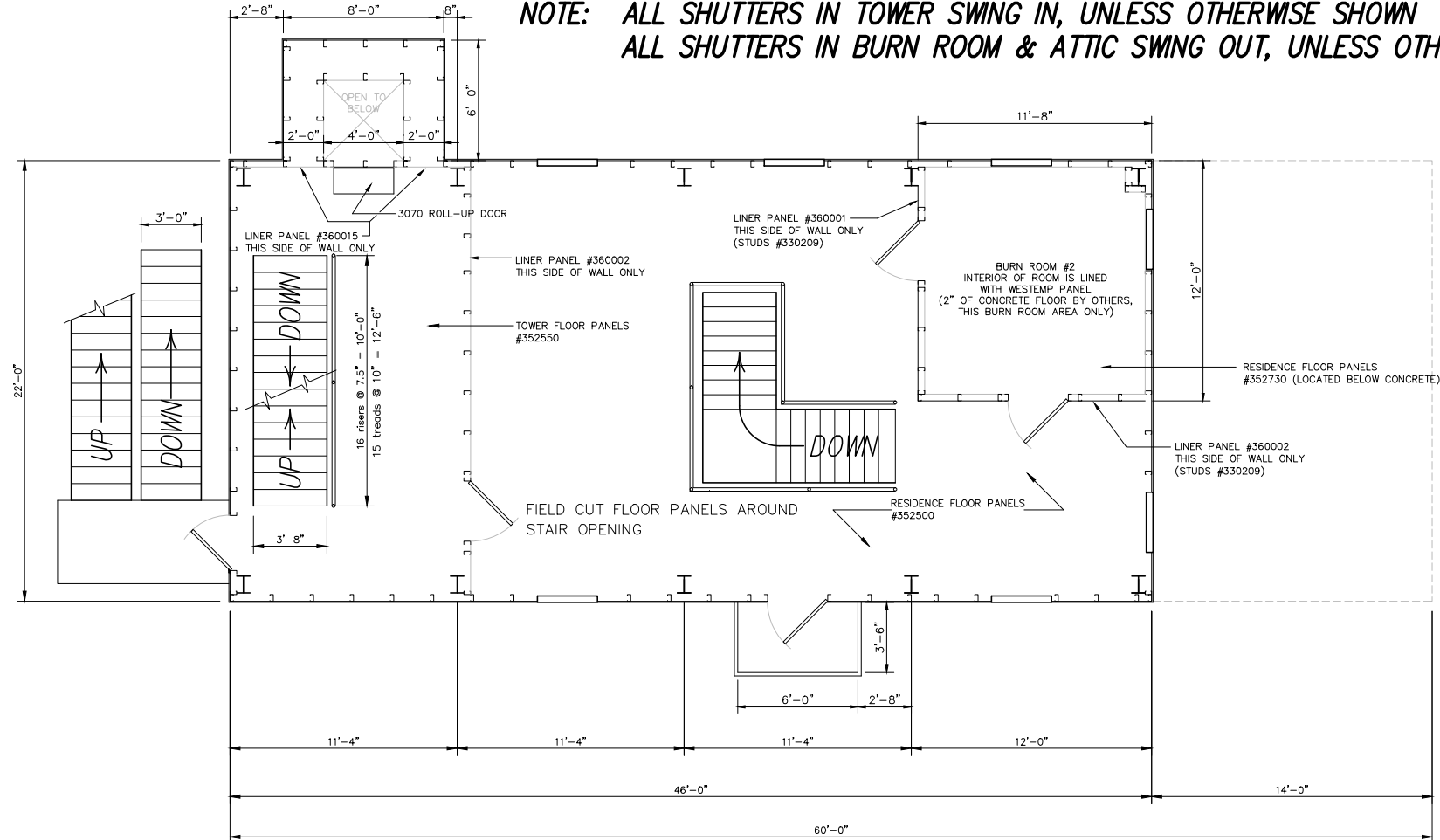
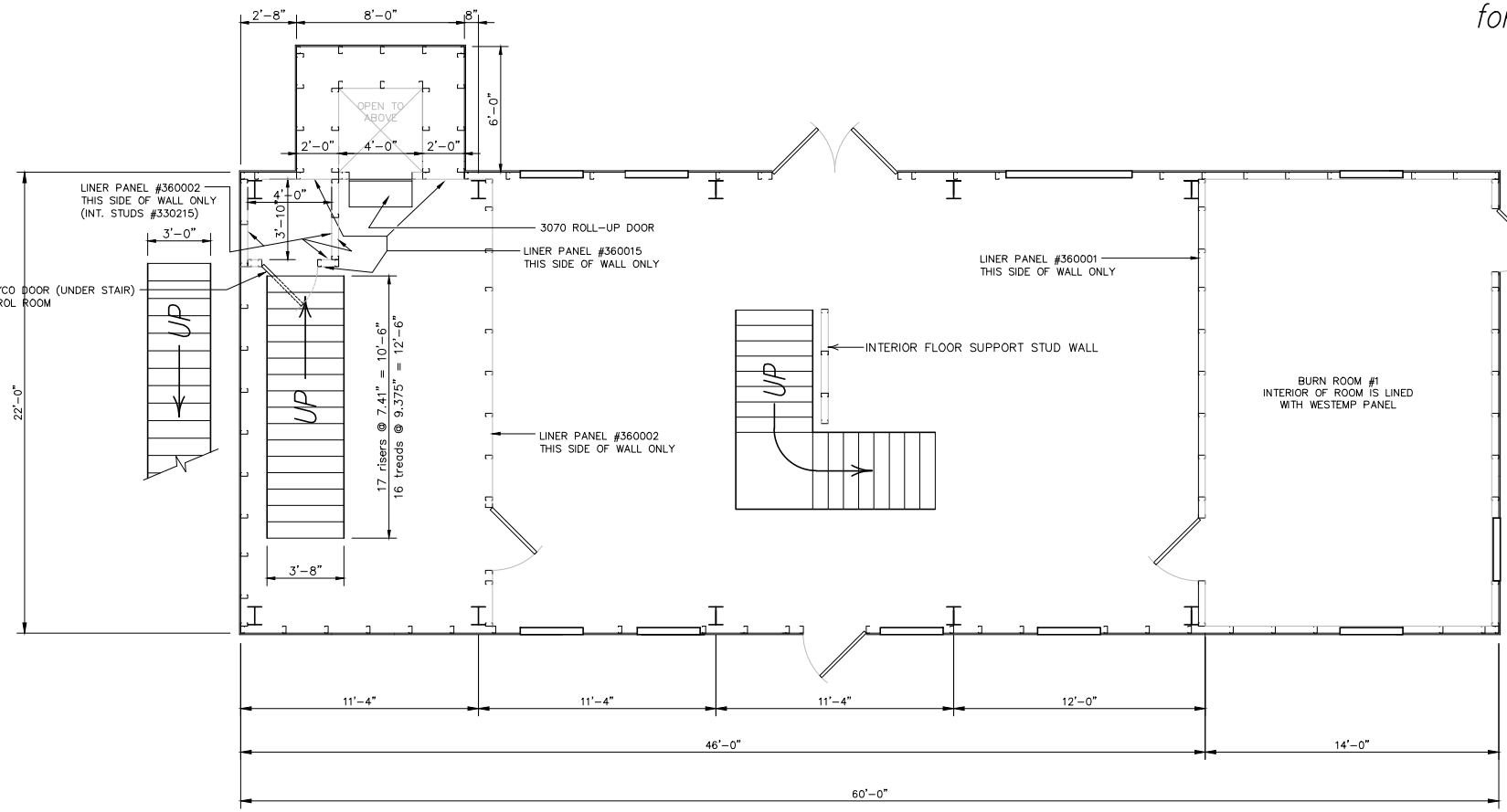


**NOTE: ALL SHUTTERS IN TOWER SWING IN, UNLESS OTHERWISE SHOWN
ALL SHUTTERS IN BURN ROOM & ATTIC SWING OUT, UNLESS OTHERWISE SHOWN**



SECOND FLOOR PLAN

SCALE: 1/4" = 1'-0"



FIRST FLOOR PLAN

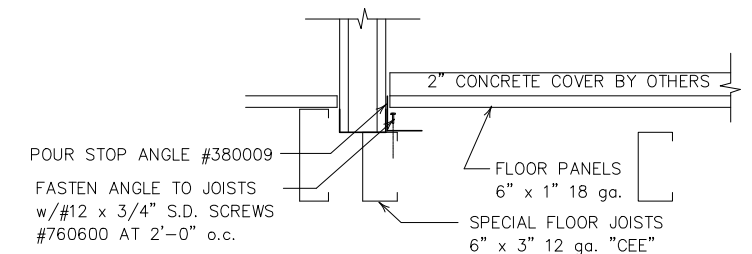
SCALE: 1/4" = 1'-0"



for REFERENCE ONLY

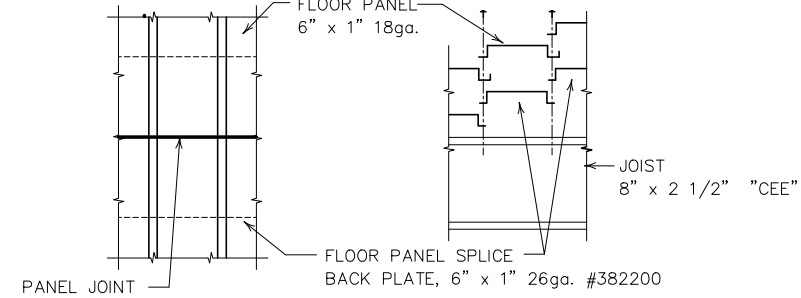
DESIGN LOADS:

- FLOOR LIVE LOAD 100 PSF
- ROOF LIVE LOAD 100 PSF
- WIND LOAD 25 PSF



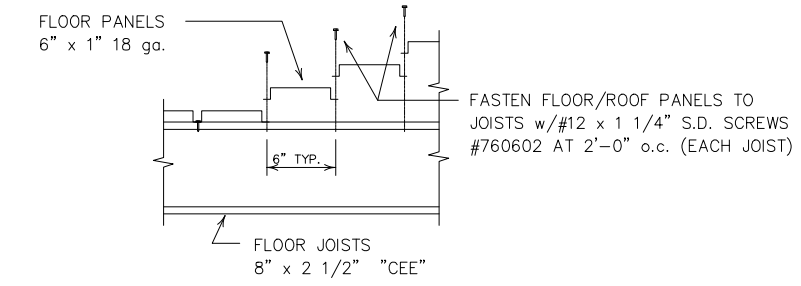
TYP. 2ND FLOOR BURN ROOM CONCRETE FLOOR EDGE TRIM DETAIL

scale: 1 1/2" = 1'-0"



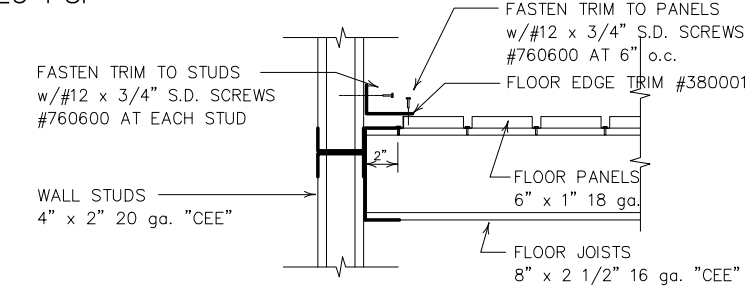
FLOOR PANEL SPLICE PLATE

scale: 1 1/2" = 1'-0"



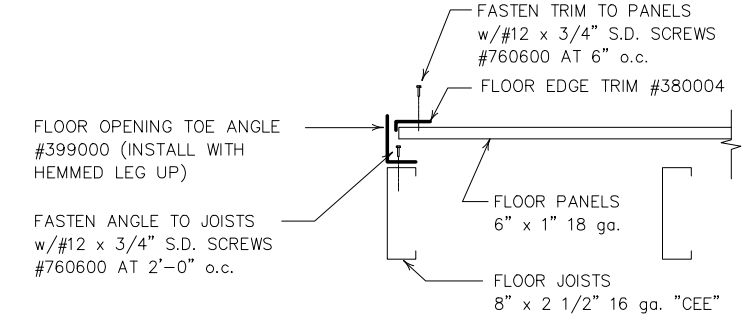
TYPICAL FLOOR PANEL FASTENING DETAIL

scale: 1 1/2" = 1'-0"



TYPICAL FLOOR EDGE TRIM DETAIL

scale: 1 1/2" = 1'-0"



TYPICAL FLOOR OPENING TRIM DETAIL

scale: 1 1/2" = 1'-0"

REVISIONS	by

THIS DRAWING AND ALL PARTS THEREOF IS THE EXCLUSIVE PROPERTY OF FIRE FACILITIES, INC.
P.O. BOX 834, ANTIPOCH, ILLINOIS 60002-9998
OFFICE (414) 862-6799 FAX (414) 862-6980
AND MAY NOT BE REPRODUCED IN WHOLE OR PART WITH OUT WRITTEN PERMISSION.

FIRE FACILITIES INC.

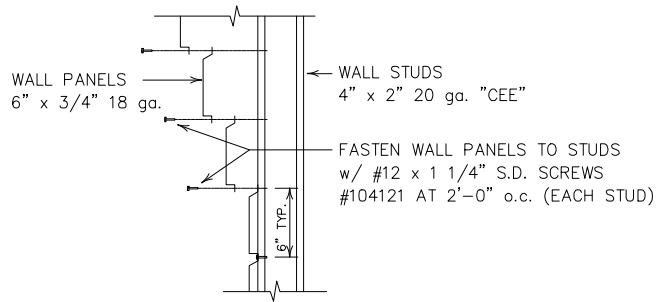
P.O. BOX 834, ANTIPOCH, IL 60002-9998
OFFICE: (414) 862-6799 FAX (414) 862-6980
NATIONAL (800) 92-WESCO

WESCO MODEL WH-4
CUSTOM
ROSWELL, GA

Job Description
Sheet Title
FLOOR PLANS

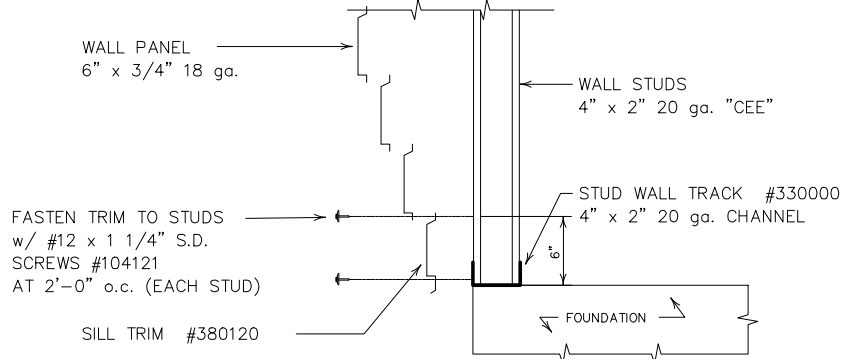
Date MAY 14, 1999
Drawn by SPW
Checked by
Scale SHOWN
Order No. FTE-34/9479
Sheet No.

1 of 23



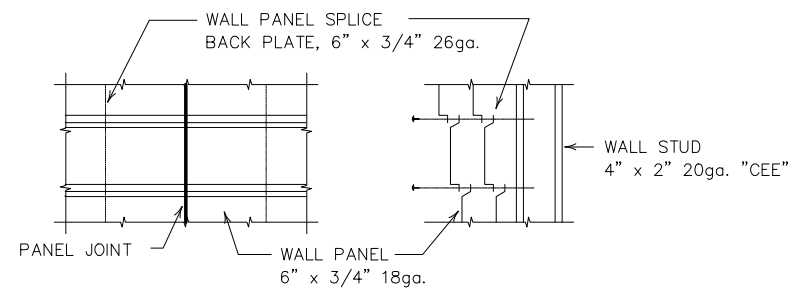
TYPICAL WALL PANEL FASTENING DETAIL

scale: 1 1/2" = 1'-0"



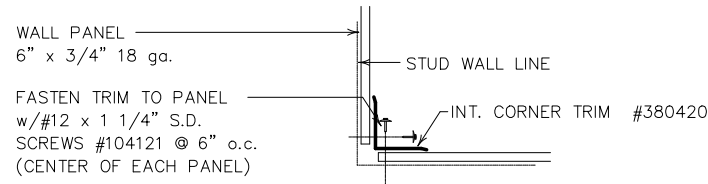
TYPICAL SILL DETAIL

scale: 1 1/2" = 1'-0"



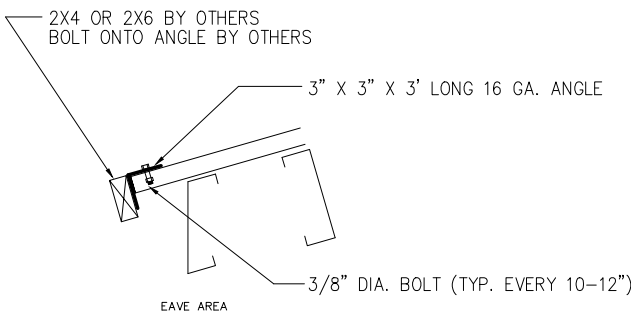
WALL PANEL SPLICE PLATE

scale: 1 1/2" = 1'-0"



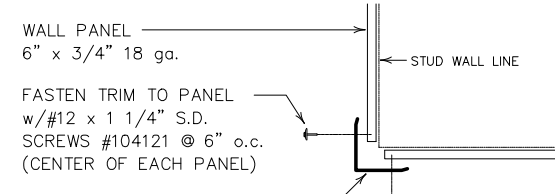
INTERIOR CORNER TRIM DETAIL

scale: 1 1/2" = 1'-0"



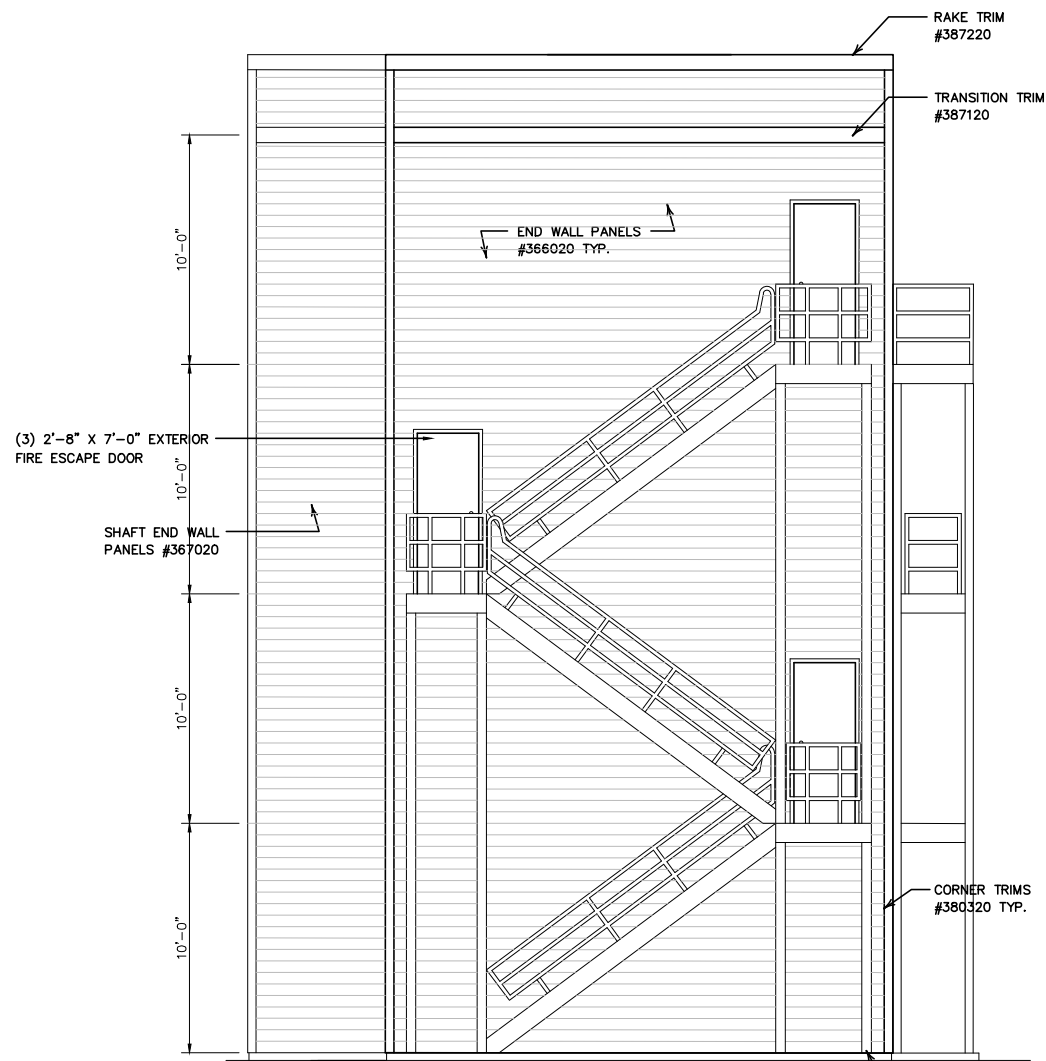
BRACKETS FOR 2X4 FENDER DETAILS

scale: 1 1/2" = 1'-0"



TYPICAL CORNER TRIM DETAIL

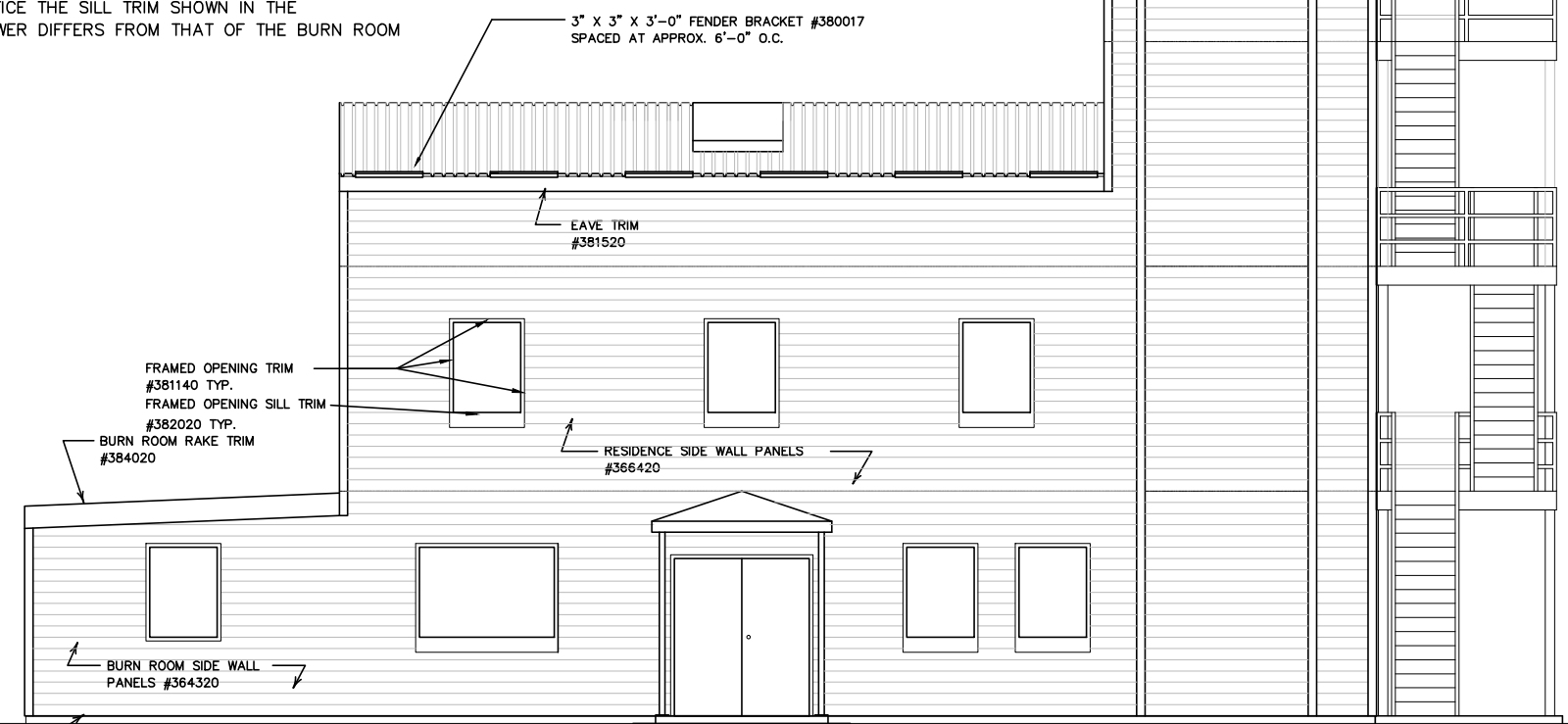
scale: 1 1/2" = 1'-0"



SOUTH END ELEVATION

SCALE: 1/4" = 1'-0"

- NOTES:
1. WALL PANEL MUST BE FIELD CUT AROUND FRAMED OPENINGS
 2. TRIMS ARE IN STANDARD 10' LENGTHS SOME FIELD CUTTING OF TRIMS IS REQUIRED
 3. NOTICE THE SILL TRIM SHOWN IN THE TOWER DIFFERS FROM THAT OF THE BURN ROOM



WEST SIDE ELEVATION

SCALE: 1/4" = 1'-0"

REVISIONS	by

THIS DRAWING AND ALL PARTS THEREOF IS THE EXCLUSIVE PROPERTY OF FIRE FACILITIES, INC.
P.O. BOX 834, ANTIOCH, ILLINOIS 60002-9998
OFFICE (414) 862-6799 FAX (414) 862-6980
AND MAY NOT BE REPRODUCED IN WHOLE OR PART WITH OUT WRITTEN PERMISSION.

FIRE FACILITIES INC.

P.O. BOX 834, ANTIOCH, IL 60002-9998
OFFICE: (414) 862-6799 FAX (414) 862-6980
NATIONAL (800) 92-WESCO

Job Description	WESCO MODEL WH-4 CUSTOM ROSWELL, GA
Sheet Title	ELEVATIONS
Date	MAY 14, 1999
Drawn by	SPW
Checked by	
Scale	SHOWN
Order No.	FTE-34/9479
Sheet No.	

