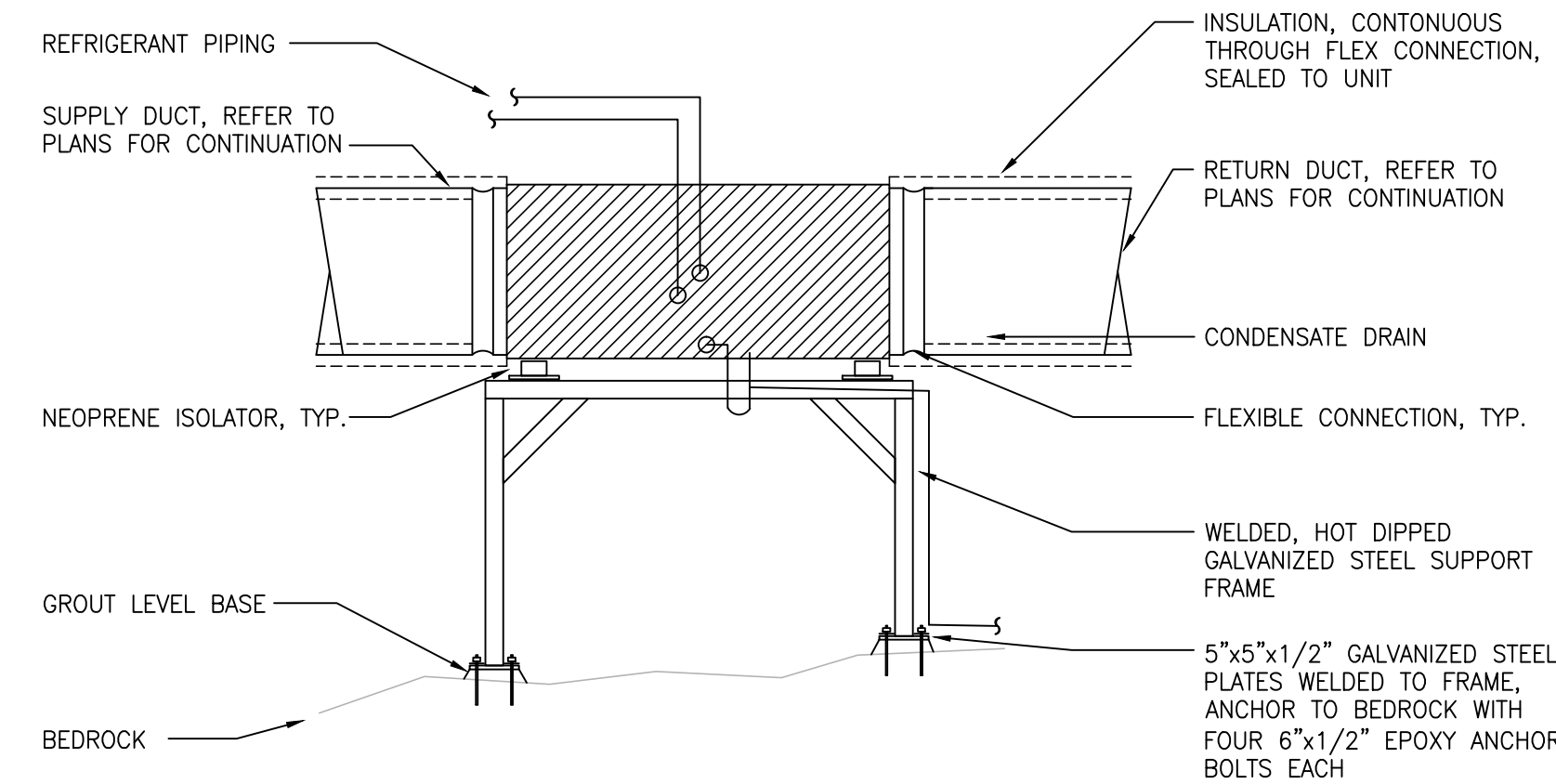


Proposed  
ROSWELL MILL  
MACHINE SHOP  
RENOVATION  
circa 1854  
Roswell, Georgia  
30075

for:  
City of Roswell  
Parks & Recreation  
Department

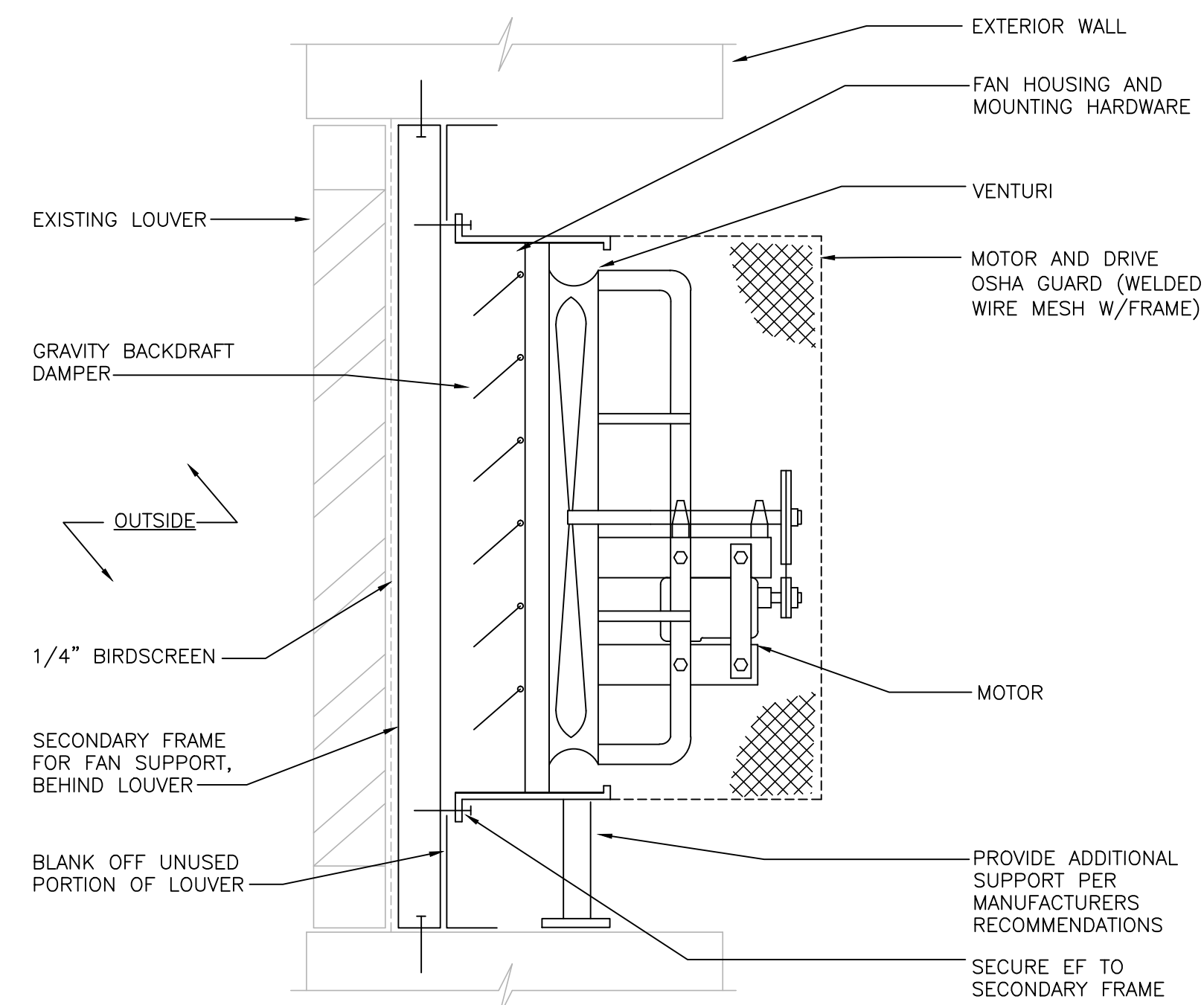
COPYRIGHT NOTICE: CONSTRUCTION LICENSE  
Plans: COPYRIGHT © 2014 by TODD ARCHITECTS, INC.  
These plans are protected under federal copyright law.  
Reproduction by any means, modification, or use of these  
plans to construct for any other project, unless otherwise  
specifically authorized is prohibited.



NOTES:

- UNIT, SUPPORTS, PIPING, AND INSULATION SHALL BE PAINTED OR COVERED IN COLOR SELECTED BY ARCHITECT. PROVIDE SAMPLES FOR ARCHITECT APPROVAL.
- PROVIDE CROSS BRACING AS REQUIRED TO PREVENT SWAYING.

1 FAN COIL UNIT  
M-2.000 SCALE: NONE

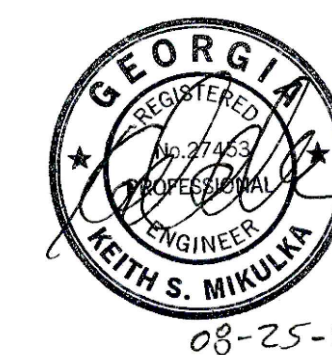


2 WALL-MOUNTED FAN  
M-2.000 SCALE: NONE

ABBREVIATIONS

ABBREV.	DEFINITION	ABBREV.	DEFINITION
A/C	ABOVE CEILING	L&S	LOUVER AND SCREEN
AD	ACCESS DOOR	LF	LINEAR FEET
AFF	ABOVE FINISHED FLOOR	MD	MANUAL DAMPER
B/F	BELOW FLOOR	MECH	MECHANICAL
B/G	BELOW GRADE	MFR	MANUFACTURER
BB	BASE BUILDING	MOD	MOTOR-OPERATED DAMPER
BD	BACKDRAFT DAMPER	MTD	MOUNTED
BLDG	BUILDING	N/A	NOT APPLICABLE
CD	CONDENSATE DRAIN	NC	NOISE CRITERIA
CF(H/M)	CUBIC FEET PER (HOUR / MINUTE)	NOM	NOMINAL
CLG	CEILING	OA	OUTSIDE AIR
CONC	CONCRETE	OPNG	OPENING
CONT	CONTINUATION	PLBG	PLUMBING
CW	DOMESTIC COLD WATER	RA	RETURN AIR
DIA	DIAMETER	S	SANITARY
DIV 15/16	DIVISION 15000 (MECH) / 16000 (ELEC)	SA	SUPPLY AIR
DN	DOWN	SF	SQUARE FEET
EA	EACH or EXHAUST AIR	THRU	THROUGH
ELEC	ELECTRICAL	T*STAT	THERMOSTAT
EXH	EXHAUST	TYP	TYPICAL
EXIST	EXISTING	UNO	UNLESS NOTED OTHERWISE
FA	FREE AREA	WG	WATER GAUGE
FLR	FLOOR	V	VENT
HW	DOMESTIC HOT WATER	XFER	TRANSFER

ALL ABBREVIATIONS MAY NOT APPEAR ON DRAWINGS.



Print Record

Revisions

Date 8-25-2016 Job No. 201630

Sheet Title  
**MECHANICAL DETAILS**

Sheet No.

**M-2.000**

Of

Released for Construction  
 Not Released for Construction